



### C&C Vehicle extension panels

C&C Vehicle extension panels have been made with heavy-duty telescopic slides and a double handle with a pressure button (black). The panel is made of aluminium and is automatically locked in the extended or retracted position.

The C&C extension panels are available in standard variations for weights up to 135 kg or 300 kg.

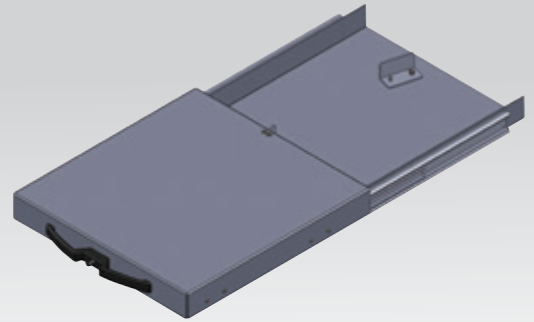


## Models

### VS-135

Extension panel for vehicles with a maximum load of up to 135 kg.

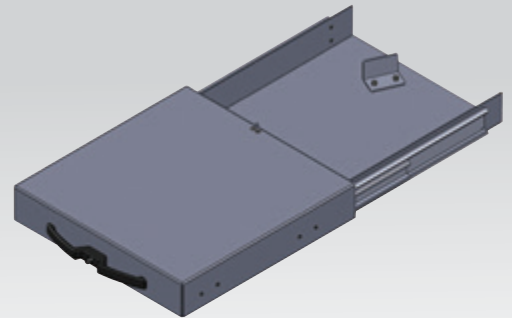
Material:	Aluminium
Height:	75 mm
Width:	506 mm
Depth:	531 mm



### VS-300

Extension panel for vehicles with a maximum load of up to 300 kg.

Material:	Aluminium
Height:	95 mm
Width:	518 mm
Depth:	531 mm



### C&C customized extension panels for vehicles

The above-mentioned models are an indication of the possibilities for C&C vehicle extension panels. Please contact us if you have any questions about different dimensions or other modifications.